

INTERNATIONAL TOURNAMENT "A" CATEGORY

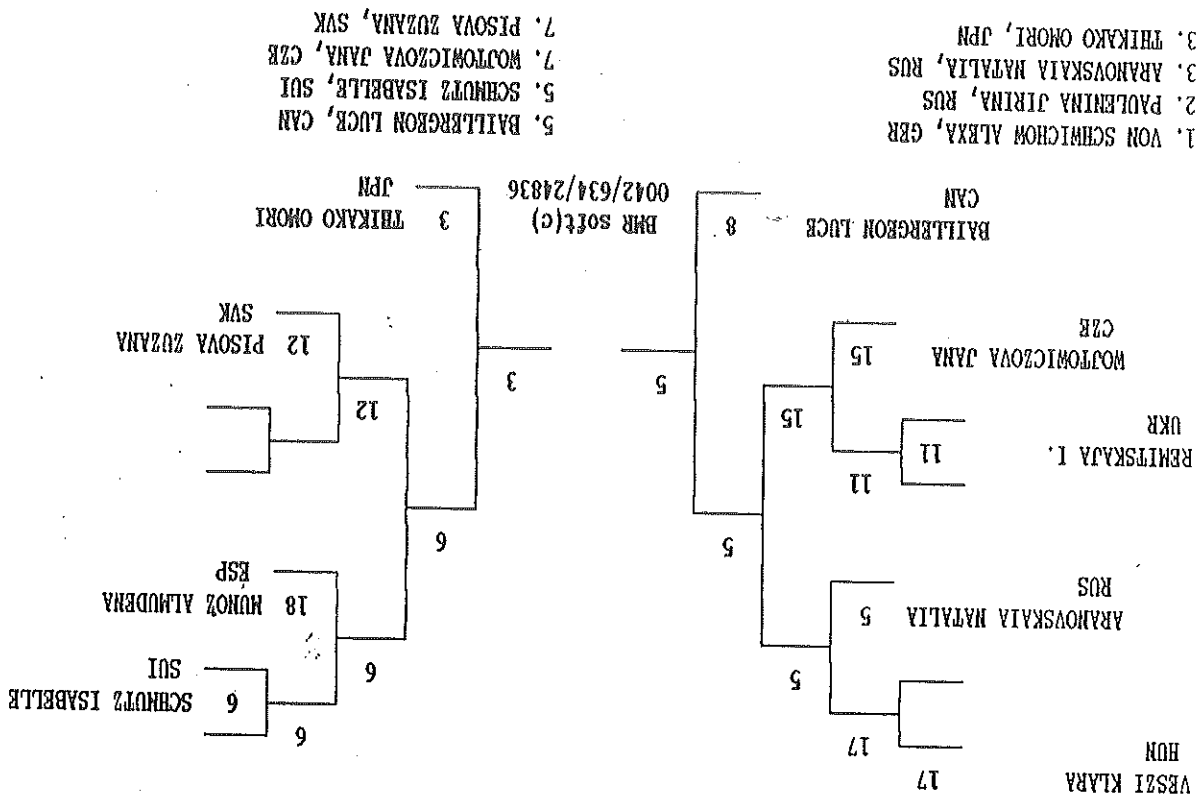
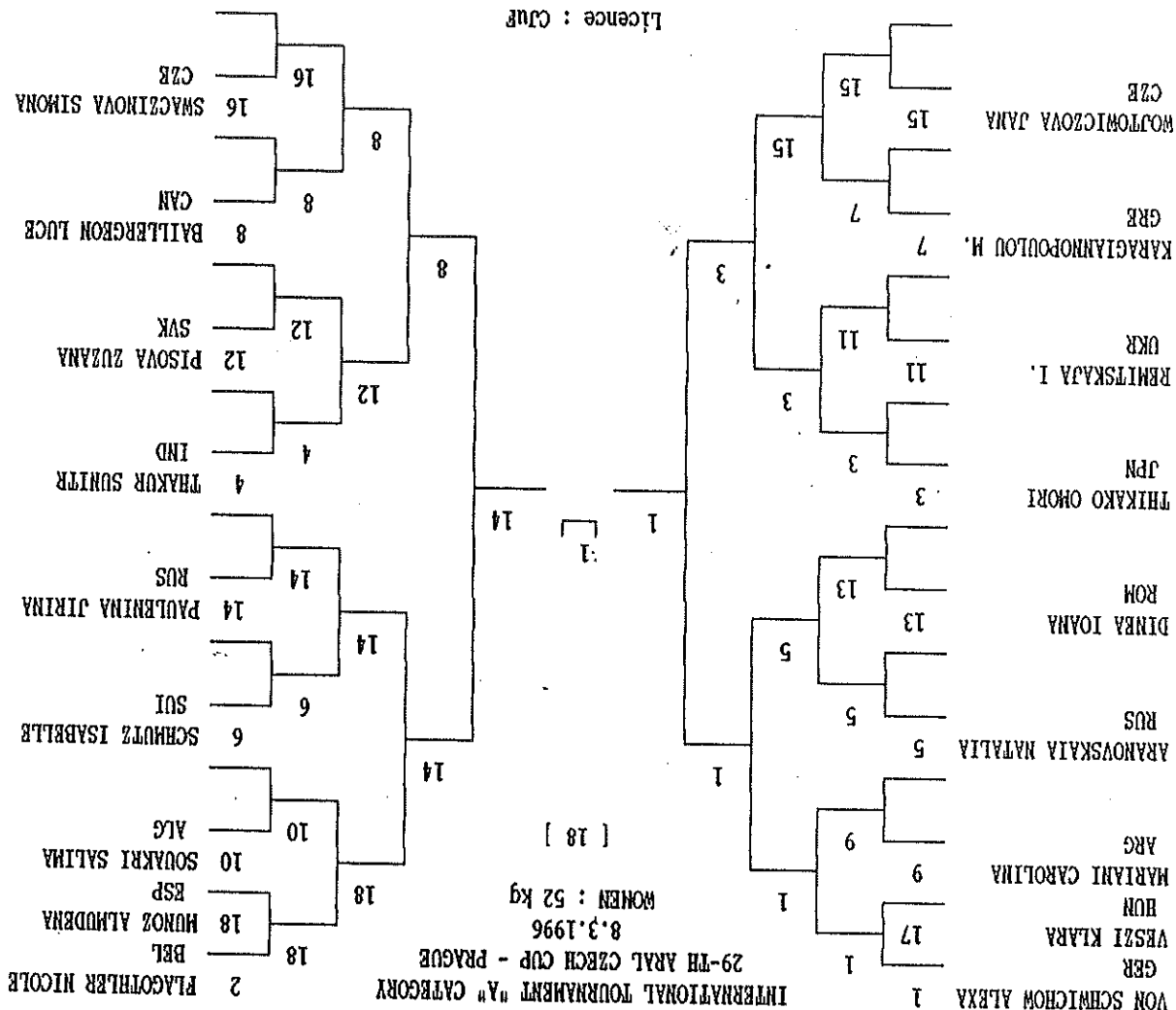
29-TH ARAL CZECH CUP - PRAQUE

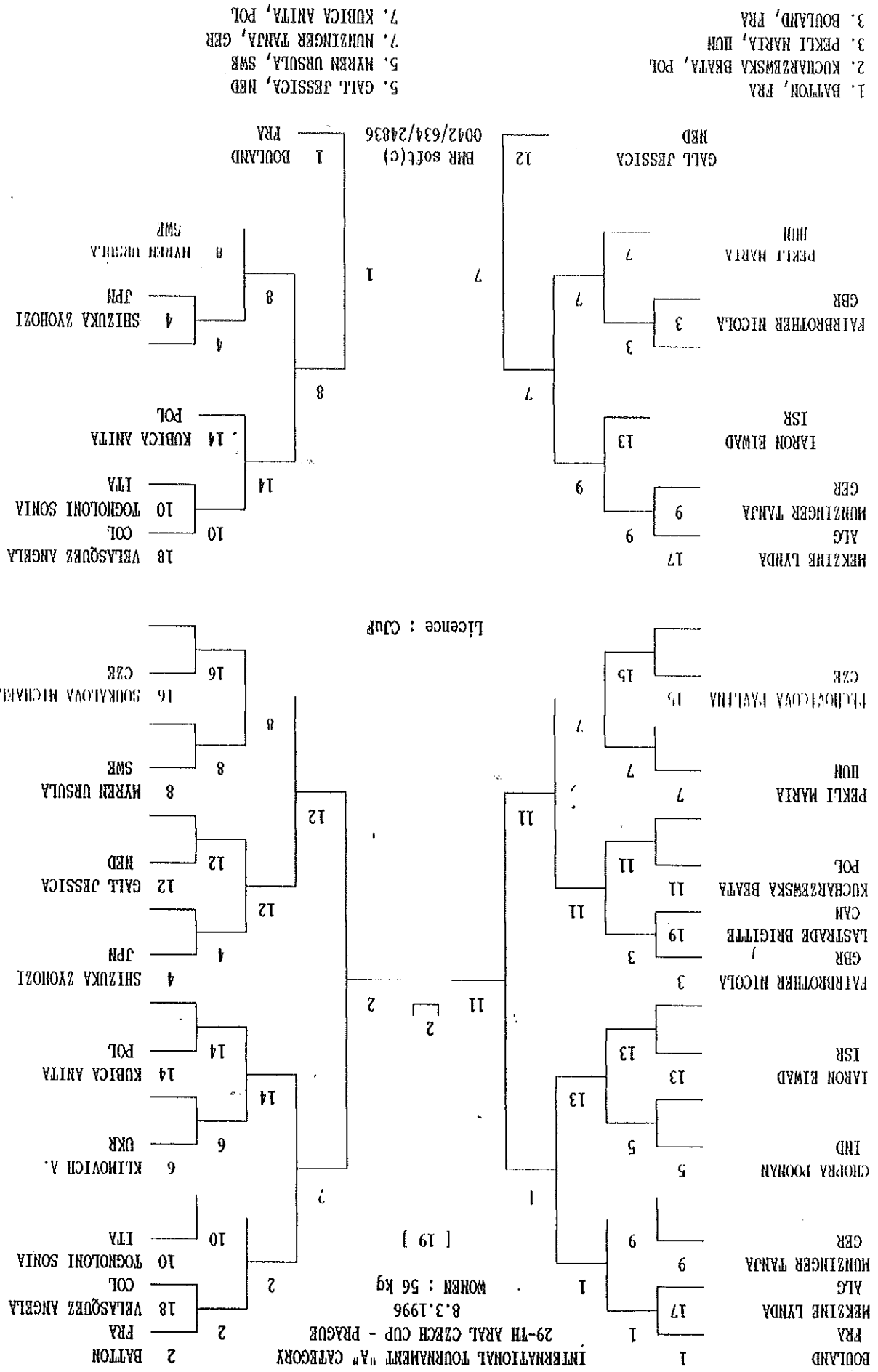
8.3.1996

WOMEN : 52 kg

[18]

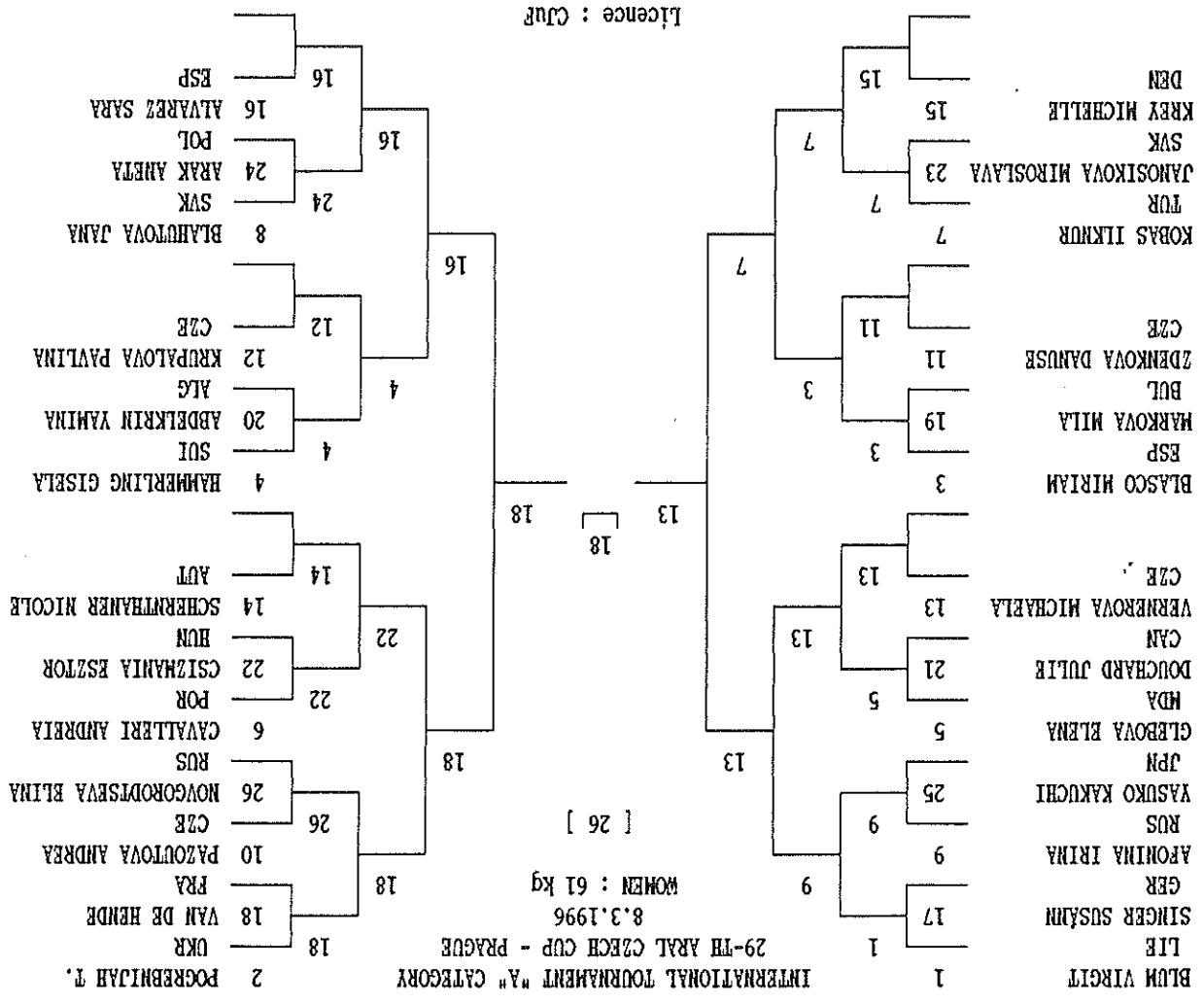
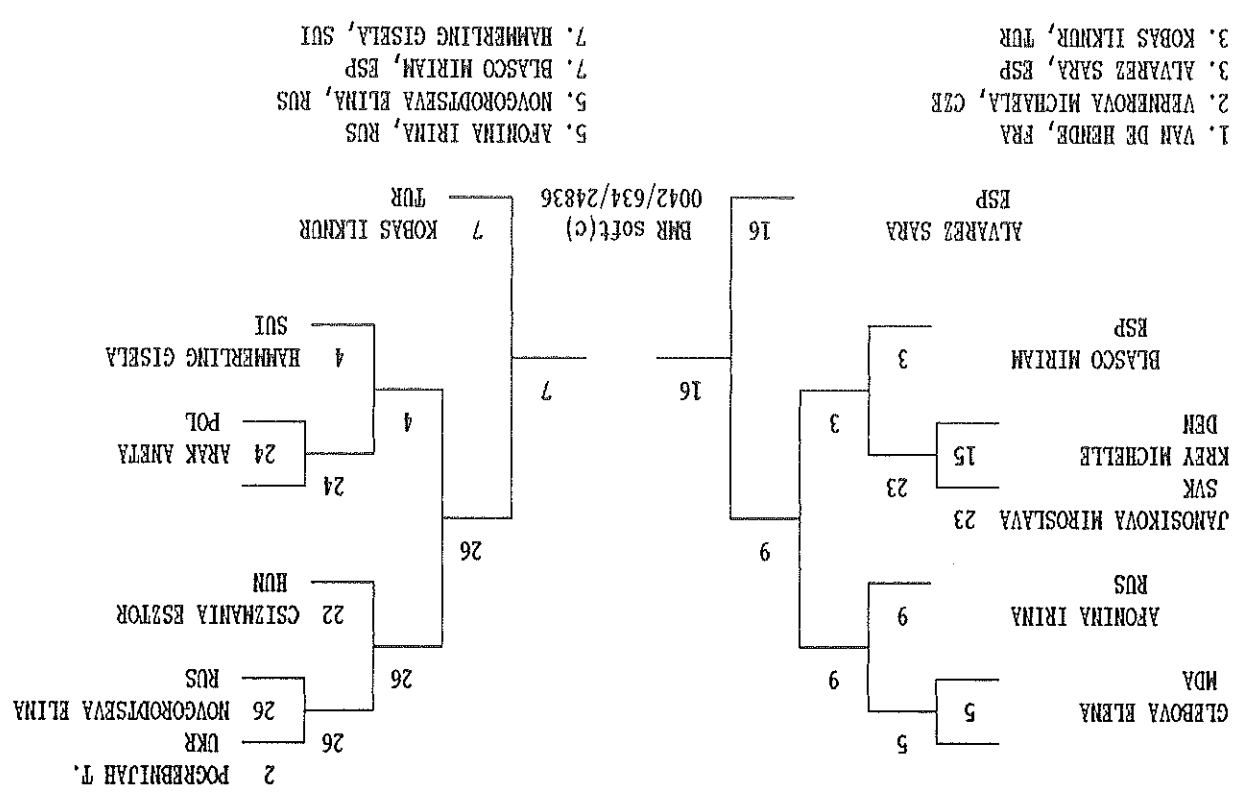
Licence : CUP



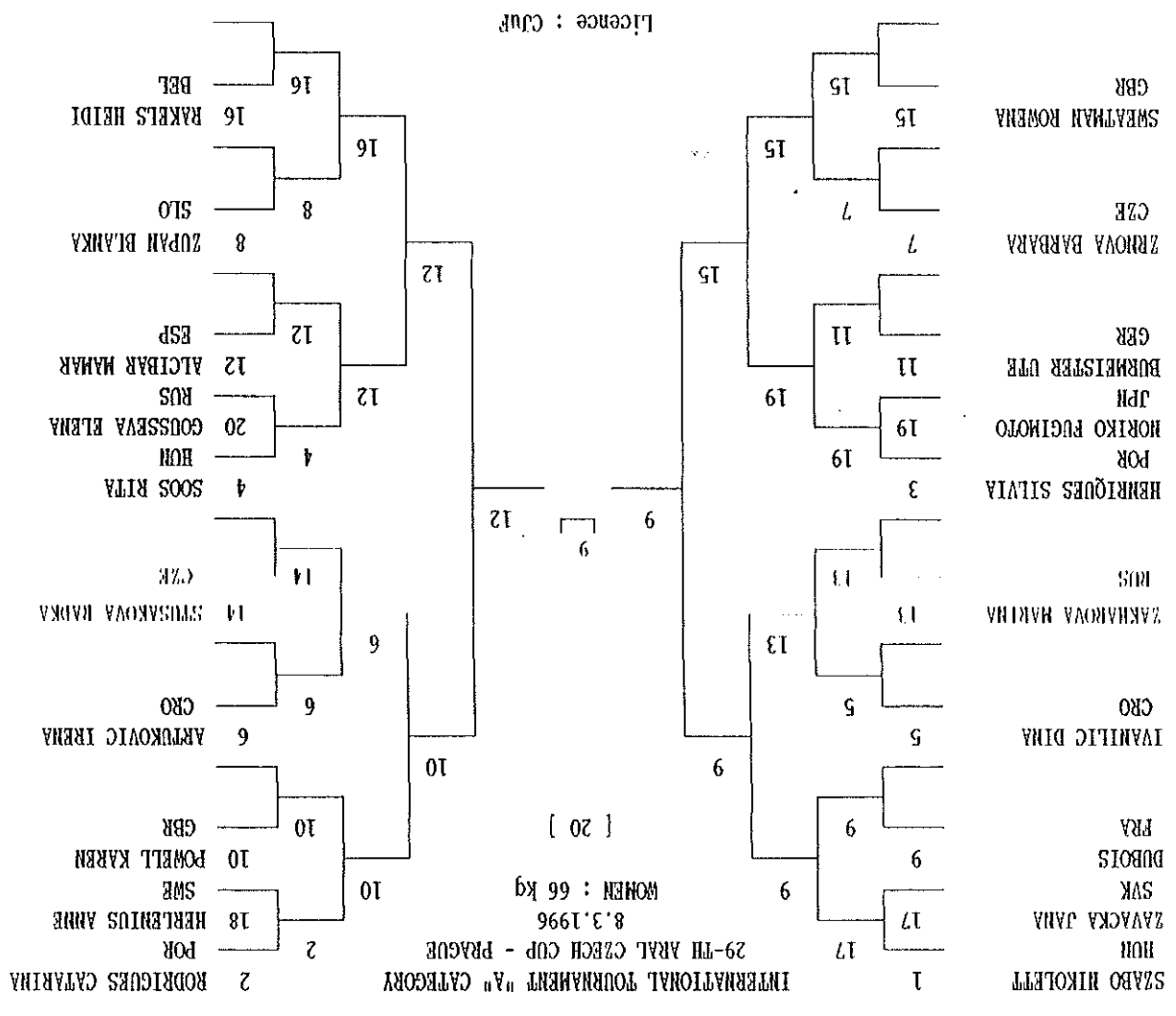
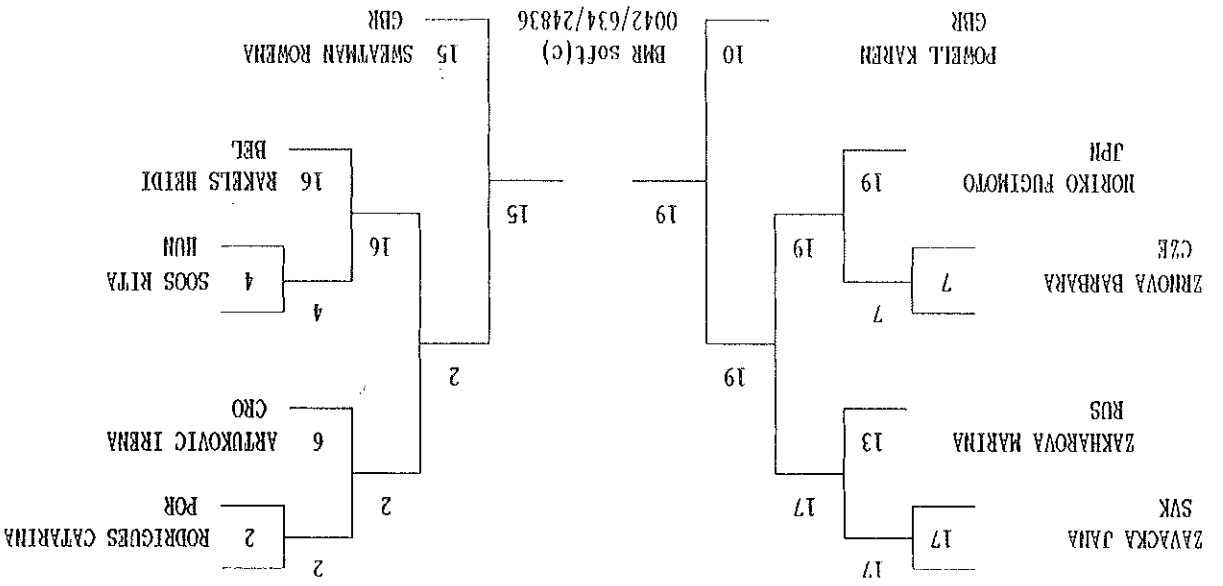


- 1. BATTON, FRA
- 2. KUCHARZEWSKA BEATA, POL
- 3. PEKLI MARIA, HUN
- 3. BOULAND, FRA

- 5. GALL JESSICA, NED
- 5. MYREN URSULA, SWR
- 7. MUNSINGER TANJA, GER
- 7. KUBICA ANITA, POL

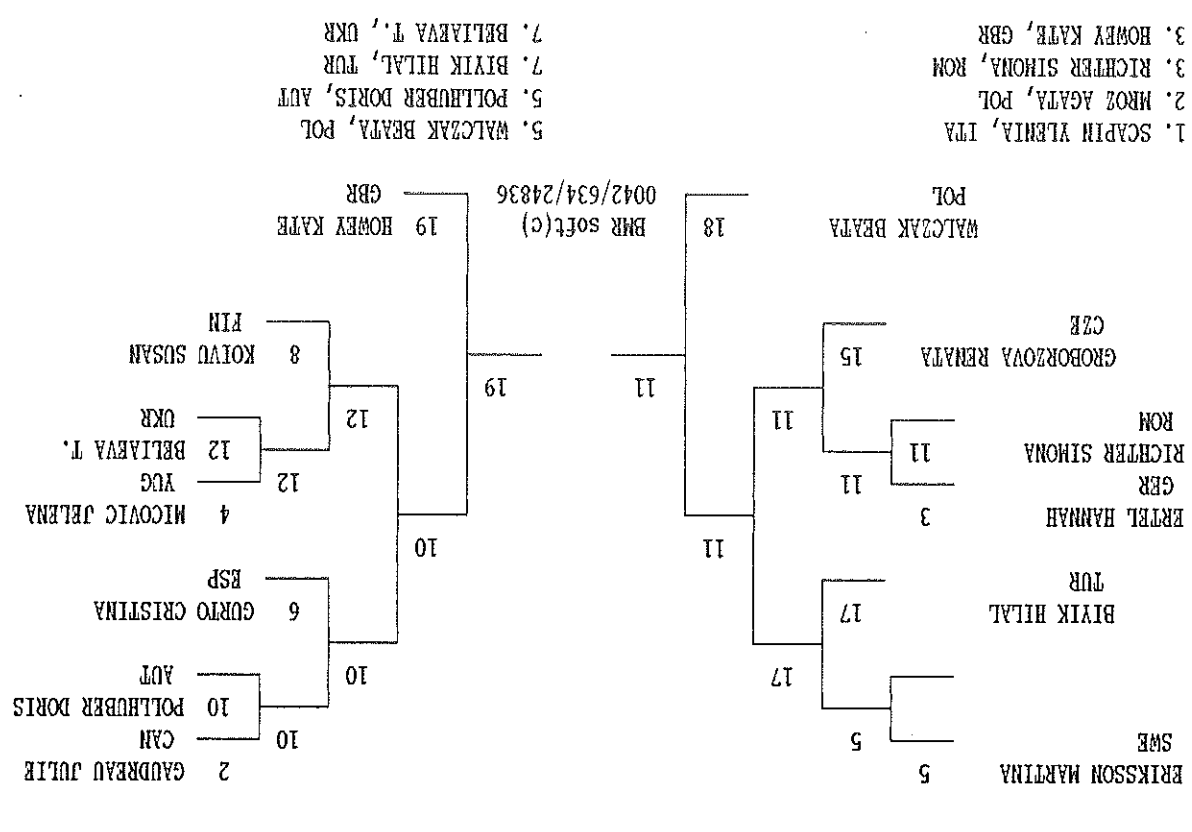
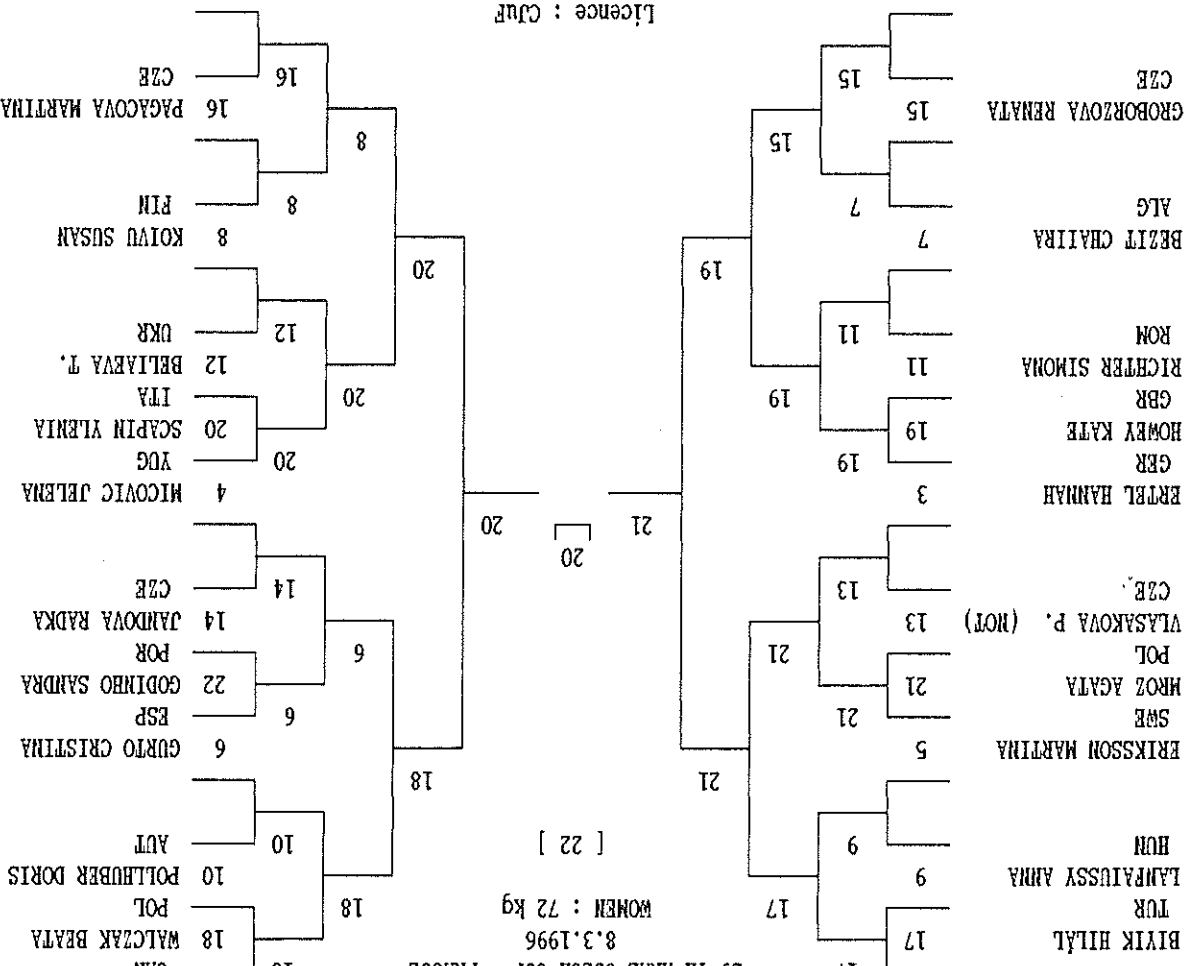


- 1. DUBOIS, FRA
- 2. ALCI BAR MAMAR, ESP
- 3. NORIKO FUGIMOTO, JPN
- 3. SWEATMAN ROMENA, GBR
- 5. RODRIGUES CATARINA, POR
- 7. ZAVACKA JANA, SVK
- 7. RAKELTS HEIDI, BEL



- 1. SZABO HIKOLETT, HUN
- 1. ZAVACKA JANA, SVK
- 1. DUBOIS, FRA
- 1. IVANILIC DINA, CRO
- 1. ZAKHAROVA MARINA, RUS
- 1. HENRIQUES SILVIA, POR
- 1. NORIKO FUGIMOTO, JPN
- 1. BURMESTER UTE, GER
- 1. ZEMOVA BARBARA, CZE
- 1. SWEATMAN ROMENA, GBR

INTERNATIONAL TOURNAMENT "A" CATEGORY 29-TH APRIL CZECH CUP - PRAQUE 8.3.1996 WOMEN : 72 kg [22]

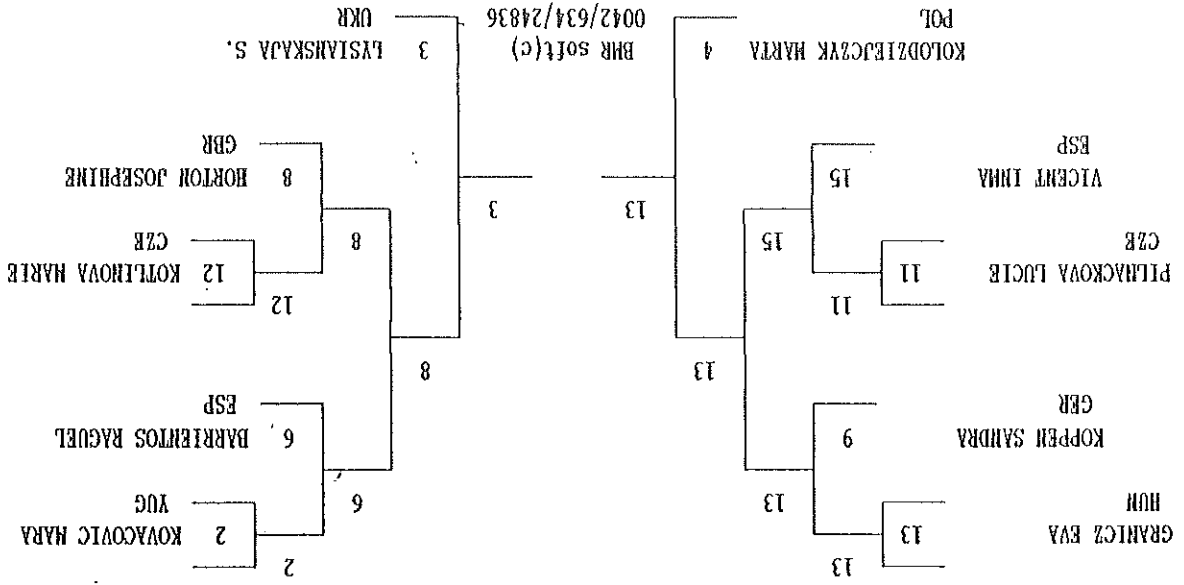
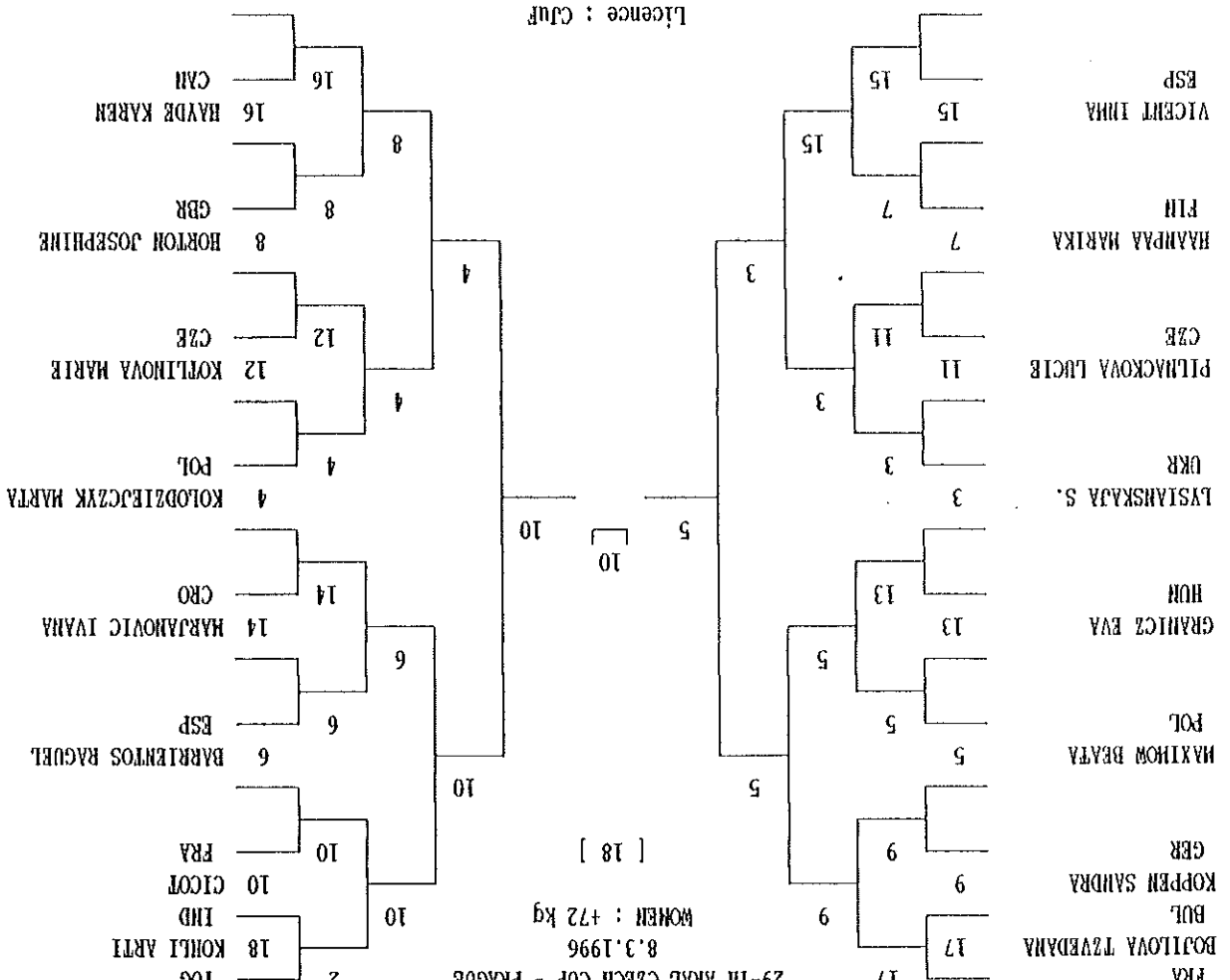


- 1. SCAPIN YLENA, ITA
- 2. MROZ AGATA, POL
- 3. RICHTER SIMONA, ROM
- 3. HOMBY KATE, GBR

- 5. WALCZAK BEATA, POL
- 5. POLLHUBER DORIS, AUT
- 7. BIYIK HILAL, TUR
- 7. BELIAEVA T., UKR

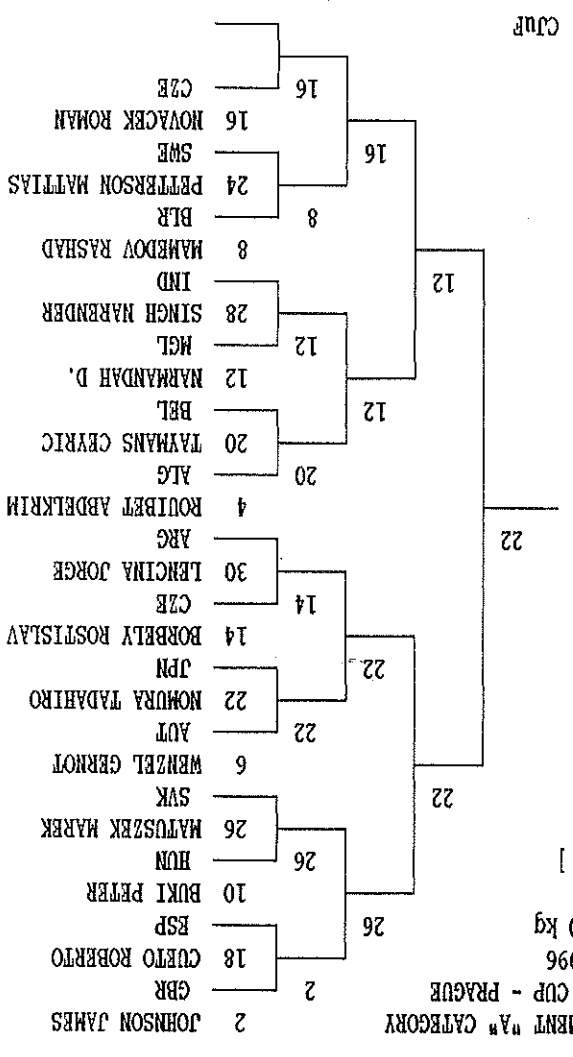
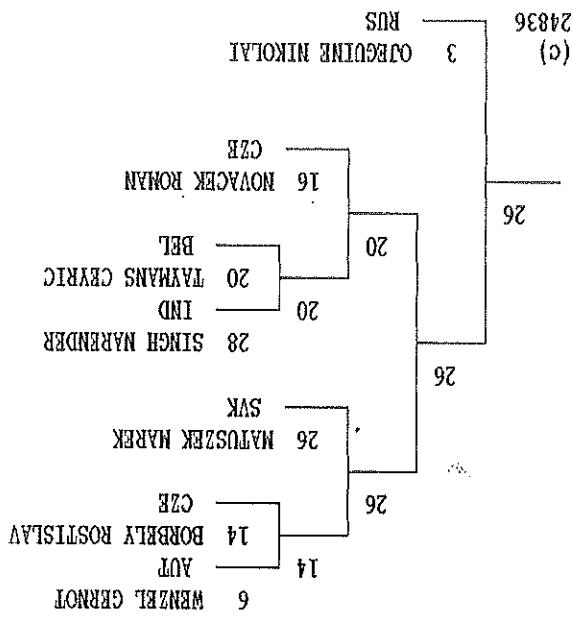
INTERNATIONAL TOURNAMENT "A" CATEGORY

8.3.1996
WOMEN : +72 kg

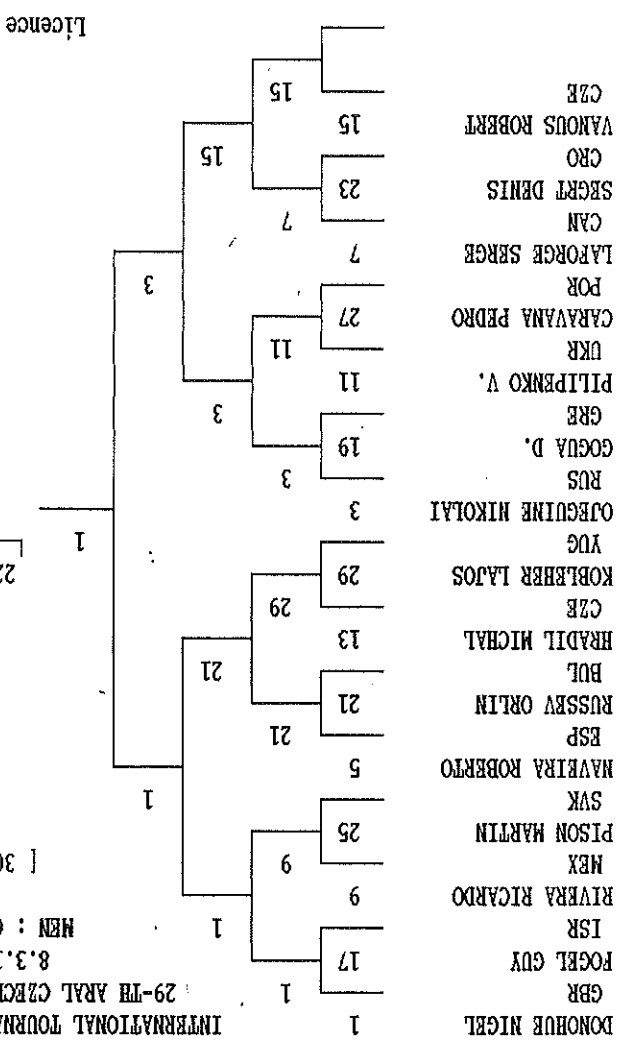
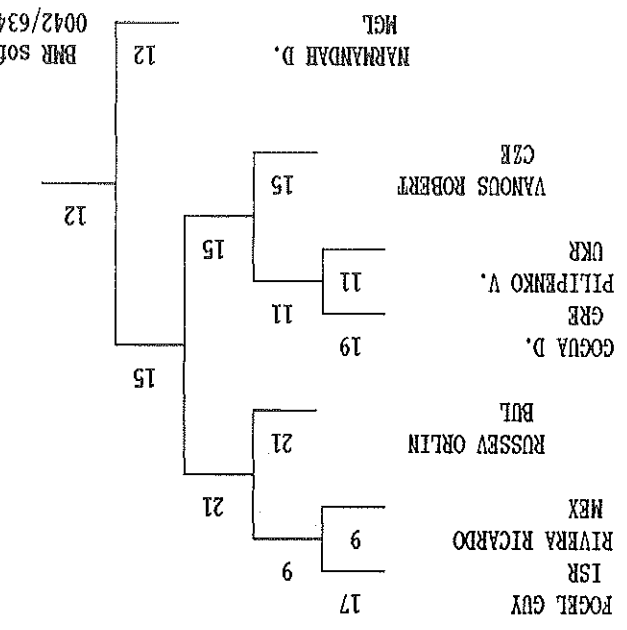


- 1. CIGOT, FRA
- 2. MAXIMOW BEATA, POL
- 3. GRANIČZ EVA, HUN
- 3. LYSIAŃSKAJA S., UKR
- 5. KOLODZIEJCZYK MARTA, POL
- 5. HORTON JOSEPHINE, GBR
- 7. VICENT INMA, ESP
- 7. BARRIENTOS RAQUEL, ESP

1. NOMURA TADAHIRO, JPN
 2. DONOHUE NIGEL, GBR
 3. NARMANDAH D., MGL
 3. MATUSZEK MAREK, SVK
 5. VANOUS ROBERT, CZE
 5. OJEGUINE NIKOLAI, RUS
 7. RUSSEV ORLIN, BUL
 7. TAYMANS CEYRIC, BEL



1. WENZEL GERNOT, AUT
 14. BORBELY ROSTISLAV, CZE
 26. MATUSZEK MAREK, SVK
 28. SINGH NARENDER, IND
 20. TAYMANS CEYRIC, BEL
 16. NOVACEK ROMAN, CZE
 3. OJEGUINE NIKOLAI, RUS



INTERNATIONAL TOURNAMENT "A" CATEGORY

29-TH ANNUAL CZECH CUP - PRAGUE

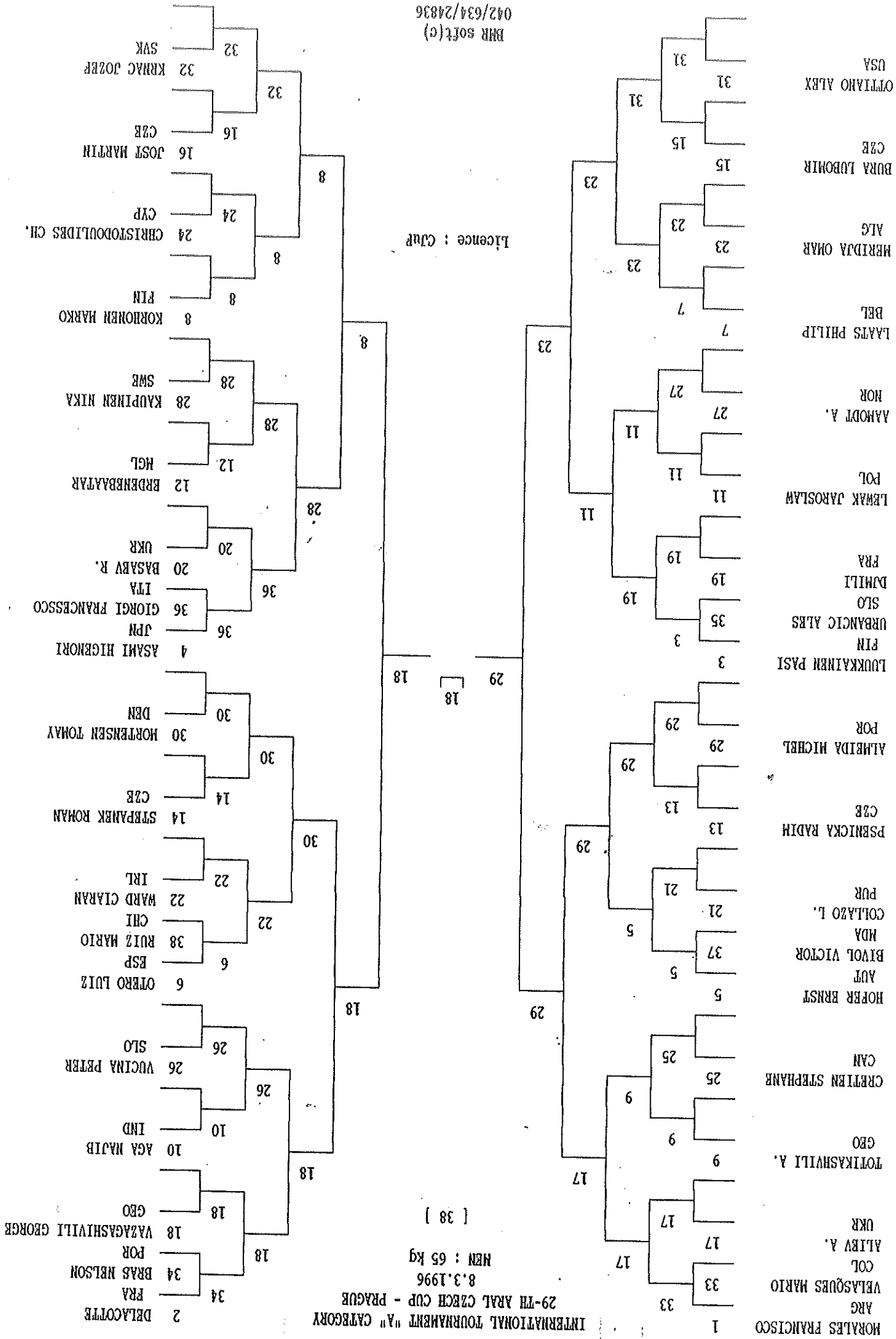
8.3.1996

MEM : 65 kg

[38]

licence : CUB

DNR soft(c)
042/634/24836



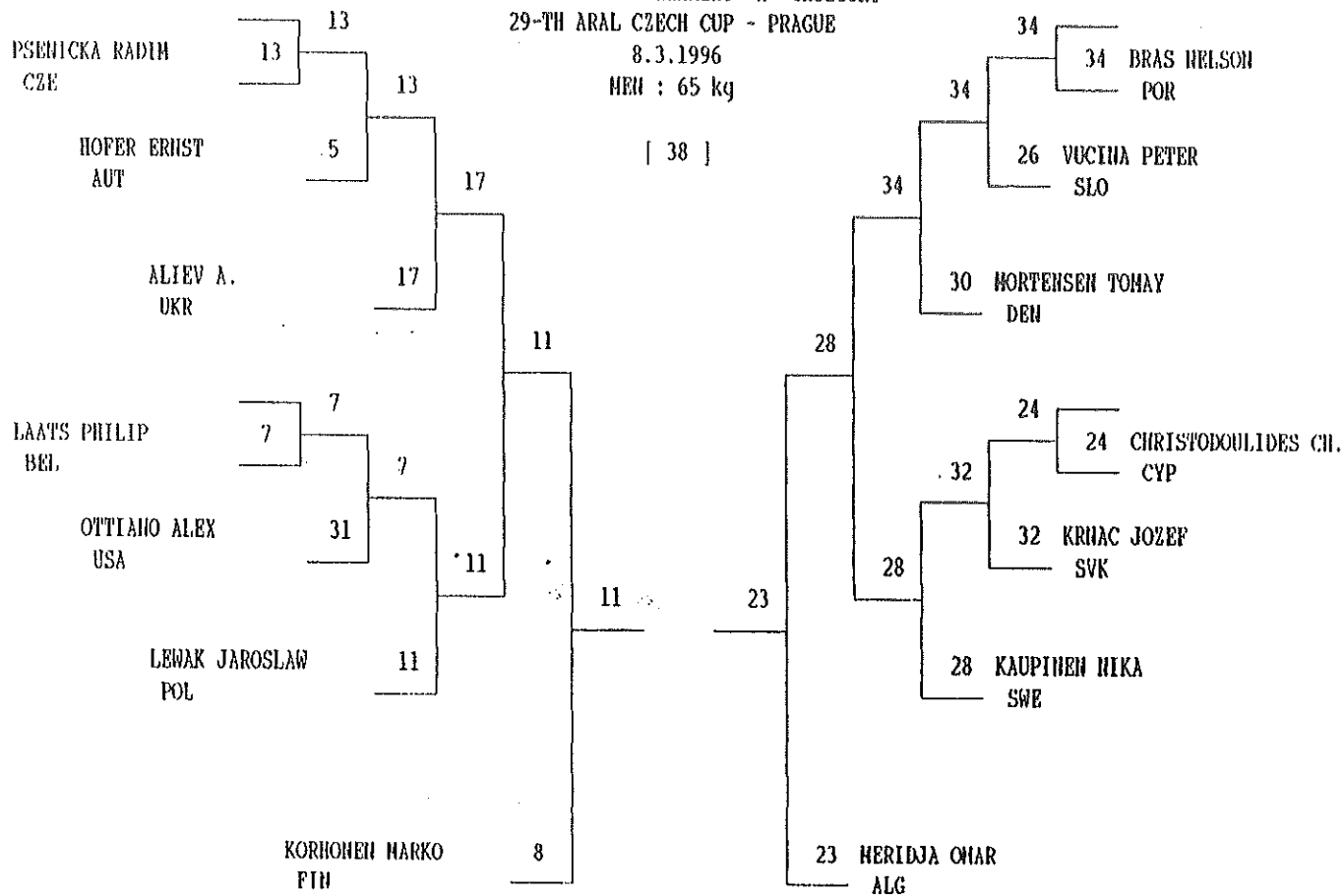
INTERNATIONAL TOURNAMENT "A" CATEGORY

29-TH ARAL CZECH CUP - PRAGUE

8.3.1996

HEM : 65 kg

[38]



1. VAZAGASHVILI GEORGE, GEO
2. ALMEIDA MICHEL, POR
3. LEWAK JAROSLAW, POL
3. HERIDJA OMAR, ALG

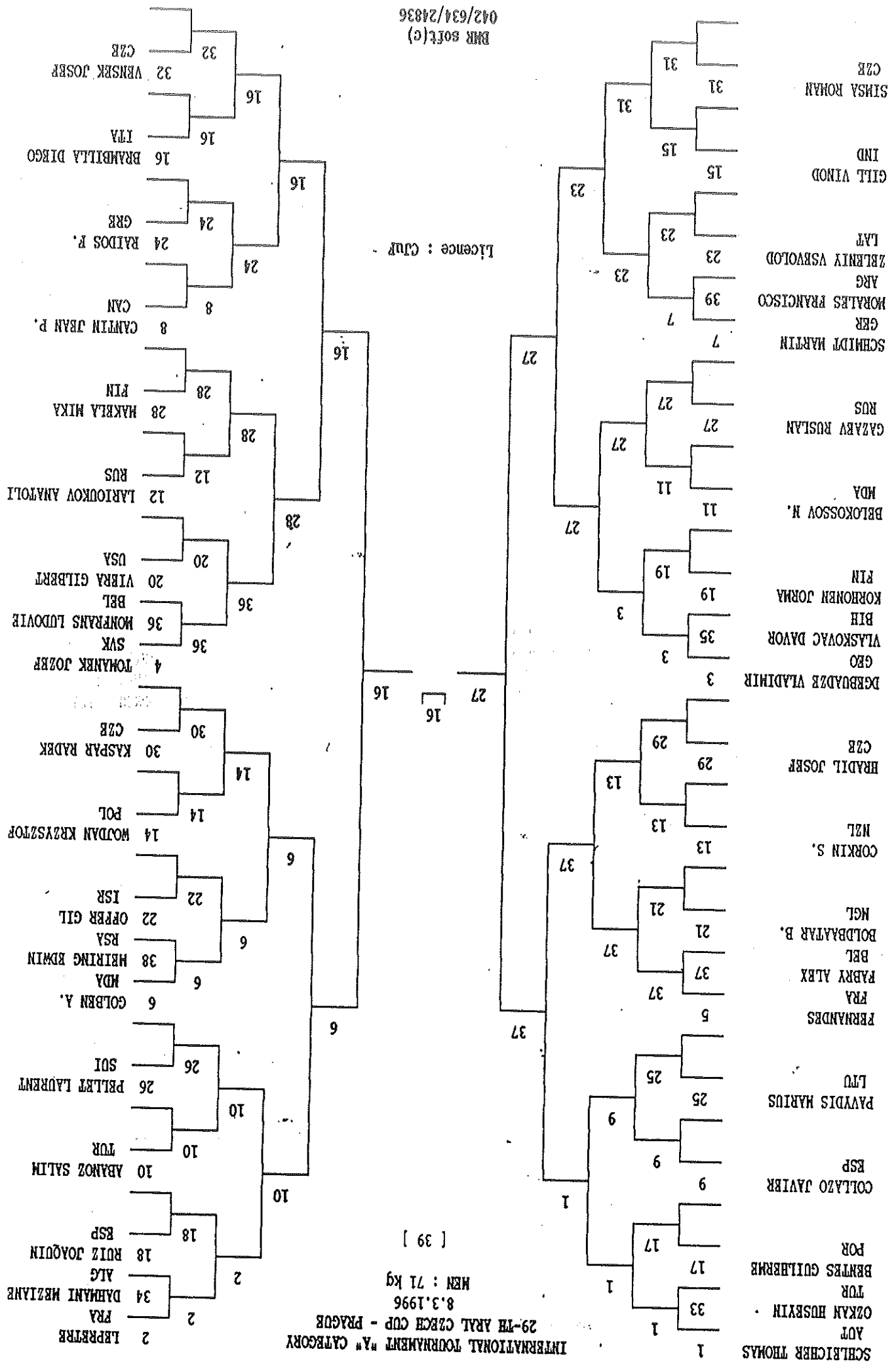
5. KORHONEN MARKO, FIN
5. KAUPINEN NIKA, SWE
7. ALIEV A., UKR
7. BRAS NELSON, POR

INTERNATIONAL TOURNAMENT "A" CATEGORY

8.3.1996
MEN : 71 kg

[39]

29-TH ANNUAL CZECH CUP - PRAGUE



SCHLICHER THOMAS

OTKAN HUSEYIN

BENTES GUILHERME

POR

COLLAZO JAVIER

ESP

PAVYDIS MARIUS

LTU

FERNANDES

FRA

FABRY ALEX

BEL

BOLBAATAR B.

MGL

HRADIL JOSEF

CZE

DEBUADZE VLADIMIR

GEO

VLASKOVAC DAVOR

BIH

KORHONEN JORMA

FIN

BELOKOSOV N.

MDA

GAZAEV RUSLAN

RUS

SCHMIDT MARTIN

GER

HORRATES FRANCISCO

ARG

ZREBNYI VASVLOD

HUN

GILL VINOD

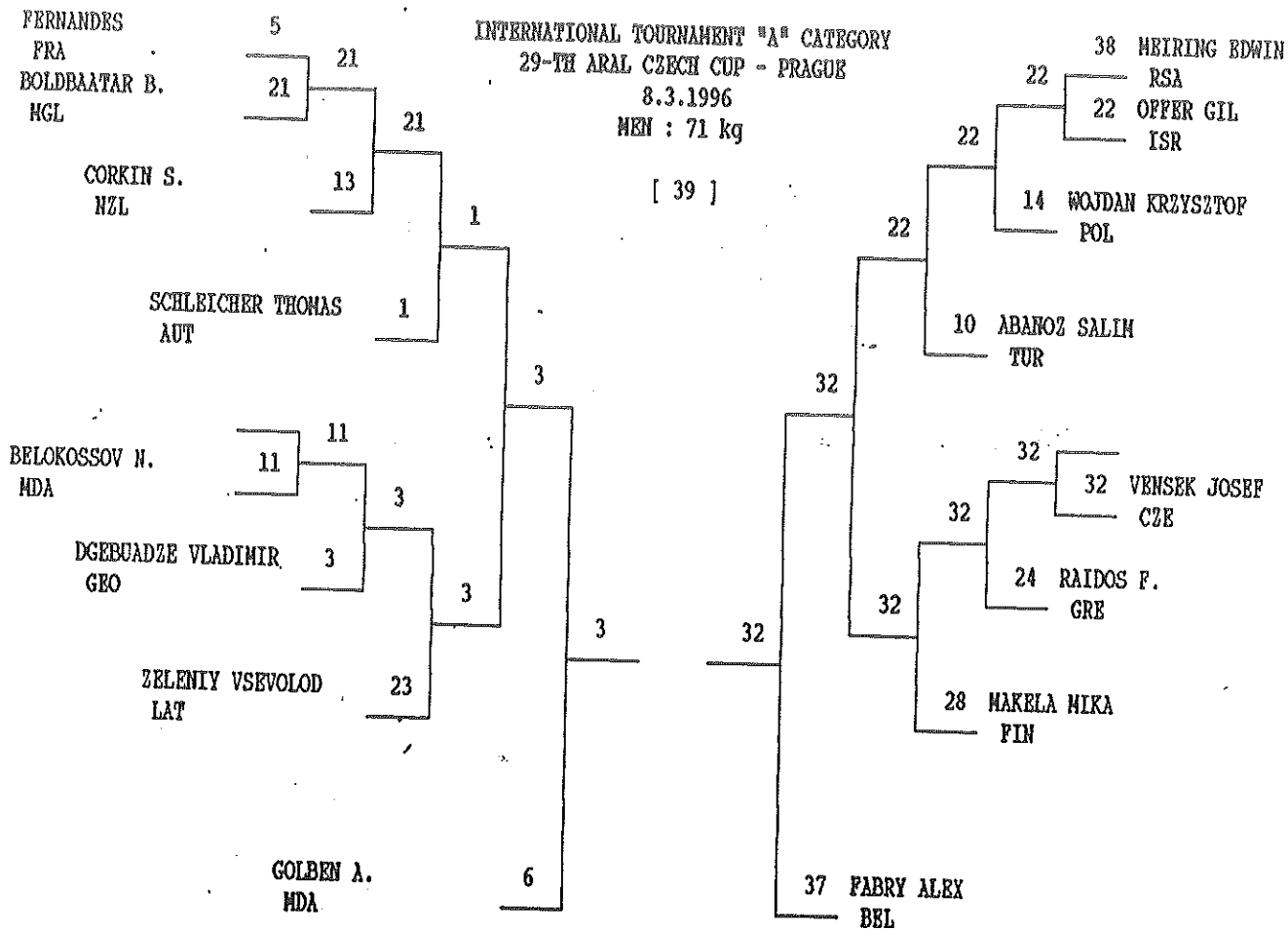
IND

SIMSA ROMAN

CZE

INTERNATIONAL TOURNAMENT "A" CATEGORY
 29-TH ARAL CZECH CUP - PRAGUE
 8.3.1996
 MEN : 71 kg

[39]



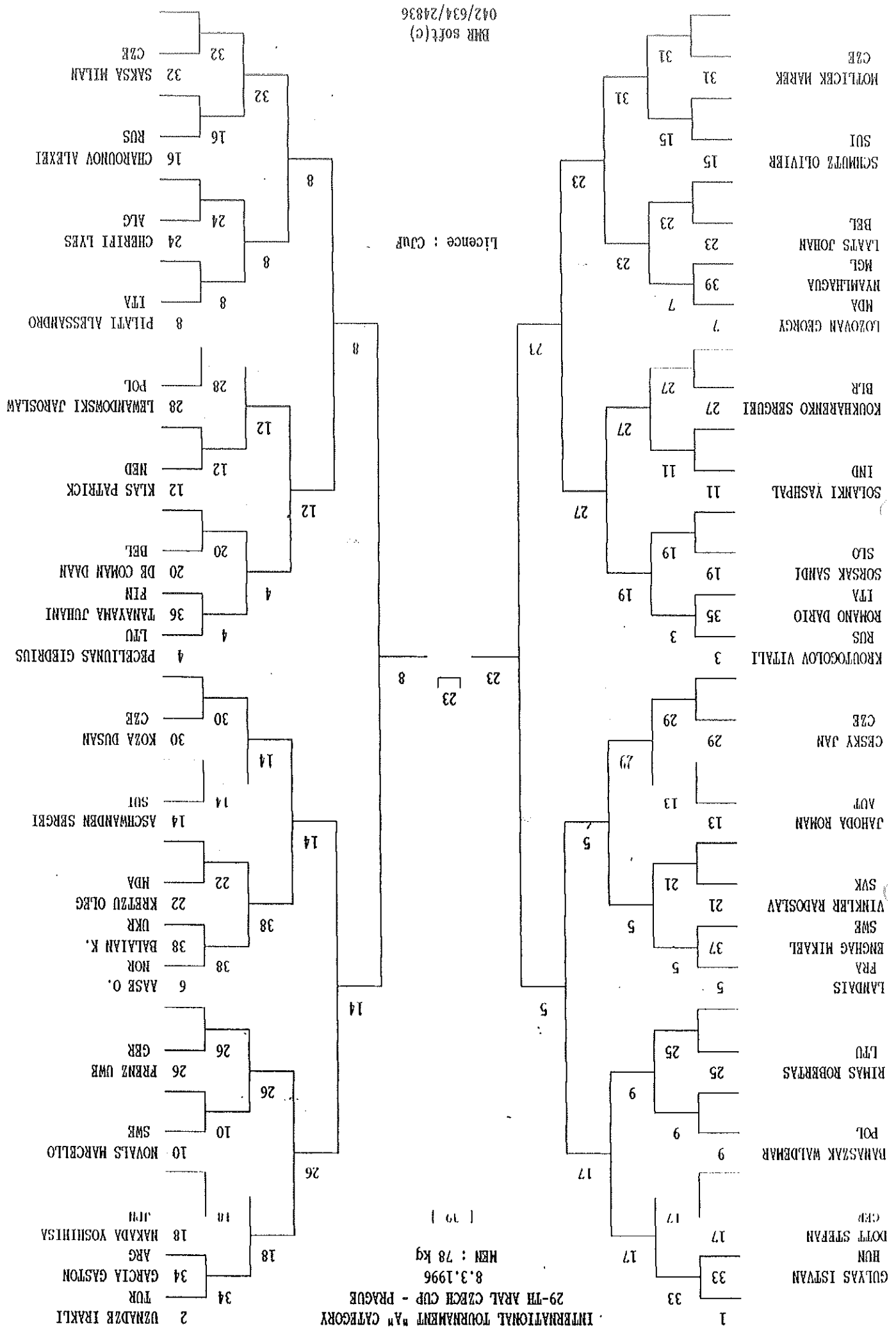
1. BRAMBILLA DIEGO, ITA
2. GAZAEV RUSLAN, RUS
3. DGEBUADZE VLADIMIR, GEO
3. VENSEK JOSEF, CZE

5. GOLBEN A., MDA
5. FABRY ALEX, BEL
7. SCHLEICHER THOMAS, AUT
7. OFFER GIL, ISR

INTERNATIONAL TOURNAMENT "A" CATEGORY
29-TH ANNUAL CZECH CUP - PRAGUE

8.3.1996
MEN : 78 kg

[10]

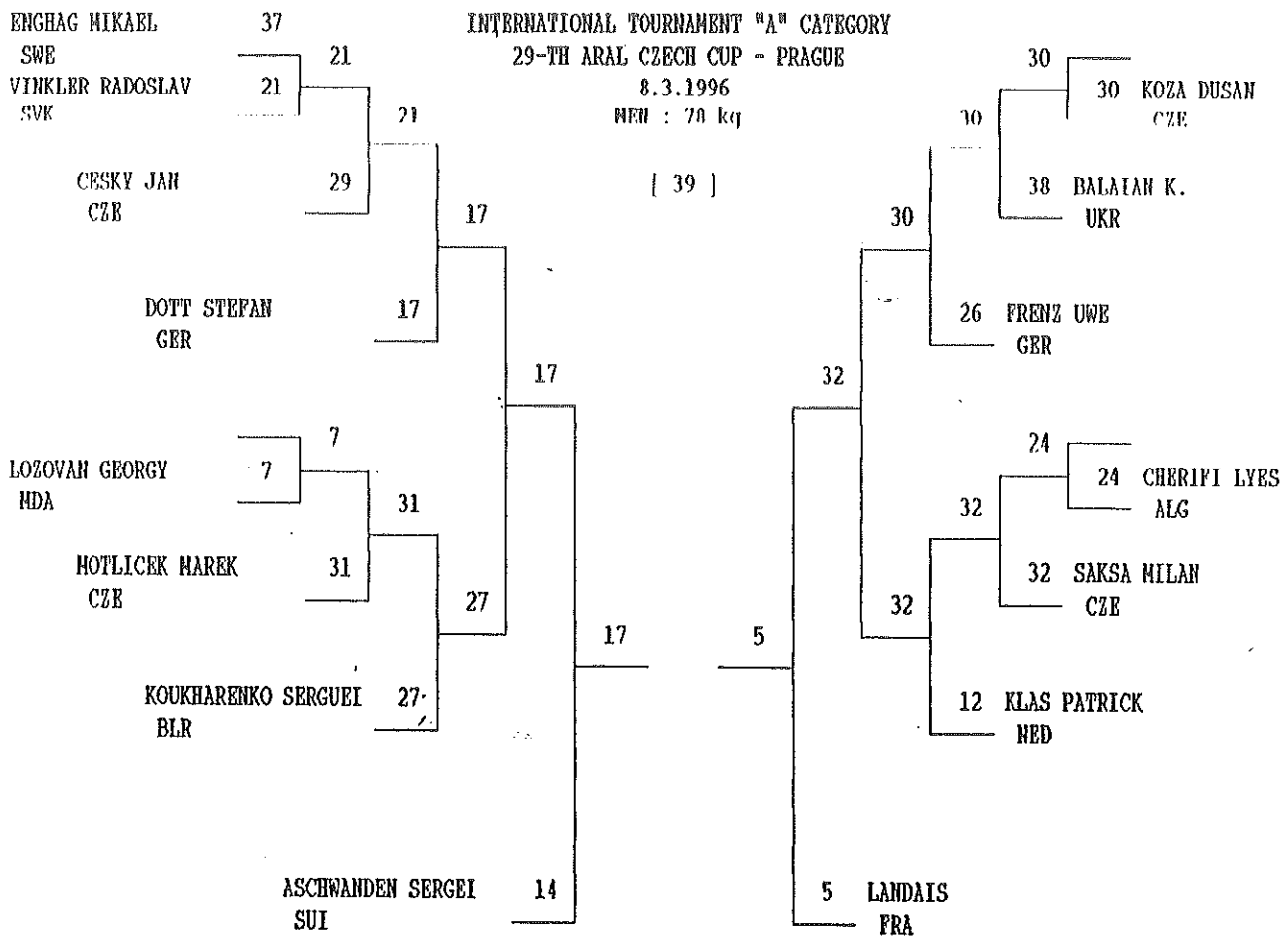


Licence : CUP

DHR soft(c)
042/634/24836

INTERNATIONAL TOURNAMENT "A" CATEGORY
 29-TH ARAL CZECH CUP - PRAGUE
 8.3.1996
 MEN : 70 kg

[39]



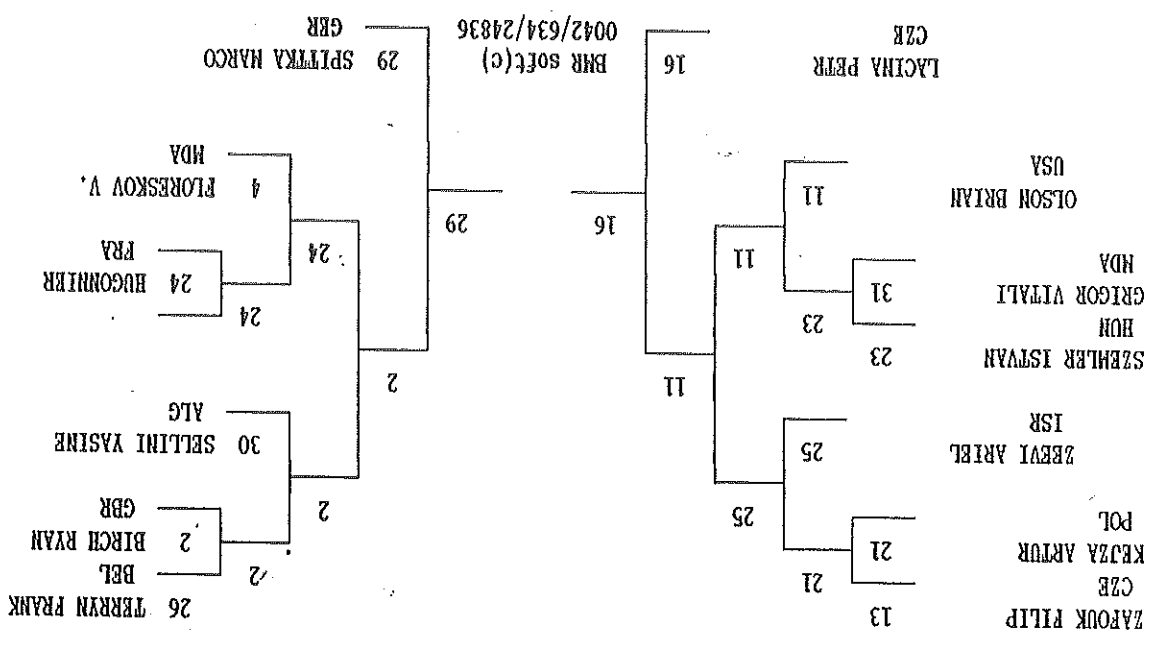
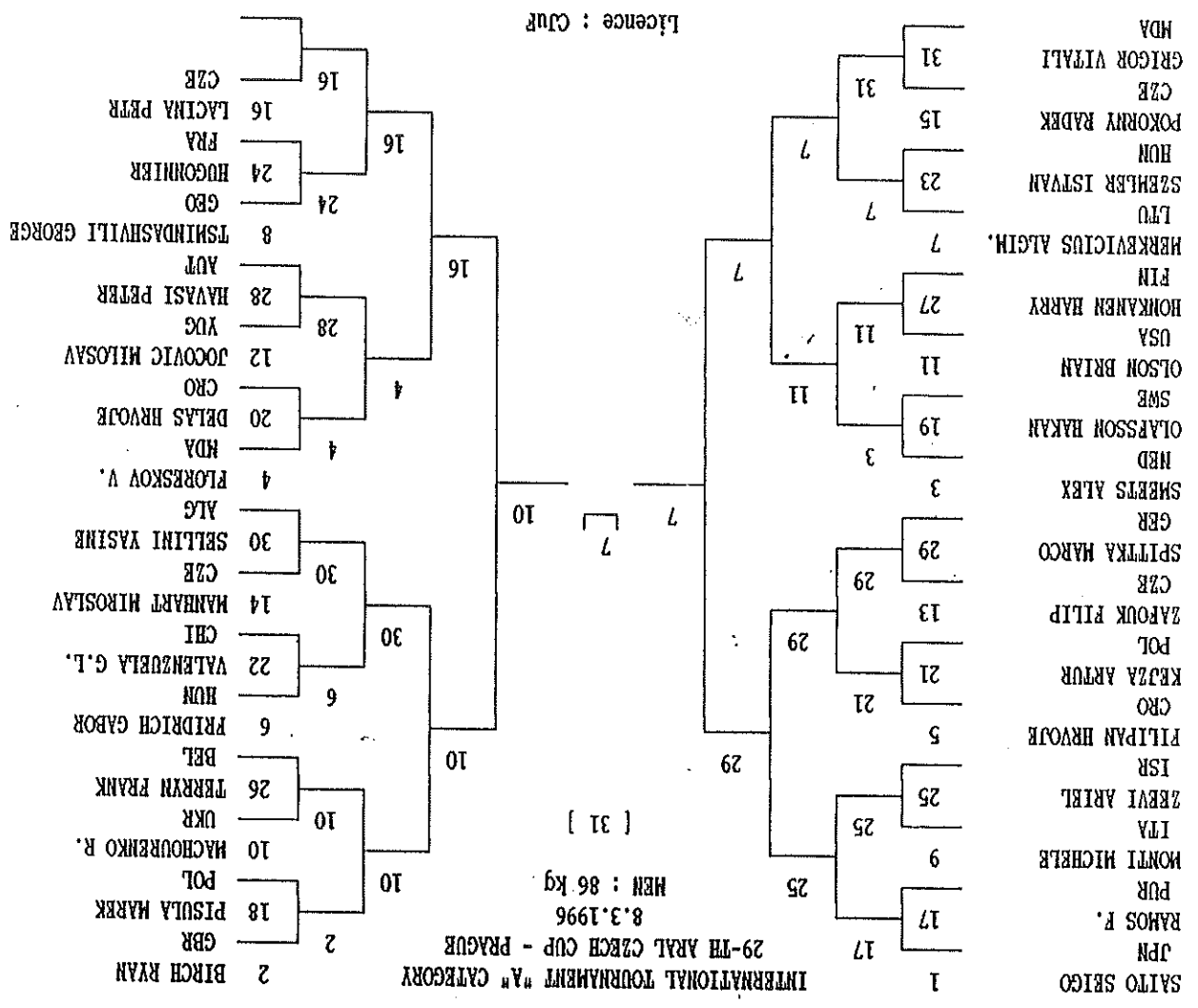
- 1. LAATS JOHAN, BEL
- 2. PILATI ALESSANDRO, ITA
- 3. DOTT STEFAN, GER
- 3. LANDAIS, FRA

- 5. ASCHWANDEN SERGEI, SUI
- 5. SAKSA MILAN, CZE
- 7. KOUKHARENKO SERGUEI, BLR
- 7. KOZA DUSAN, CZE

INTERNATIONAL TOURNAMENT "A" CATEGORY

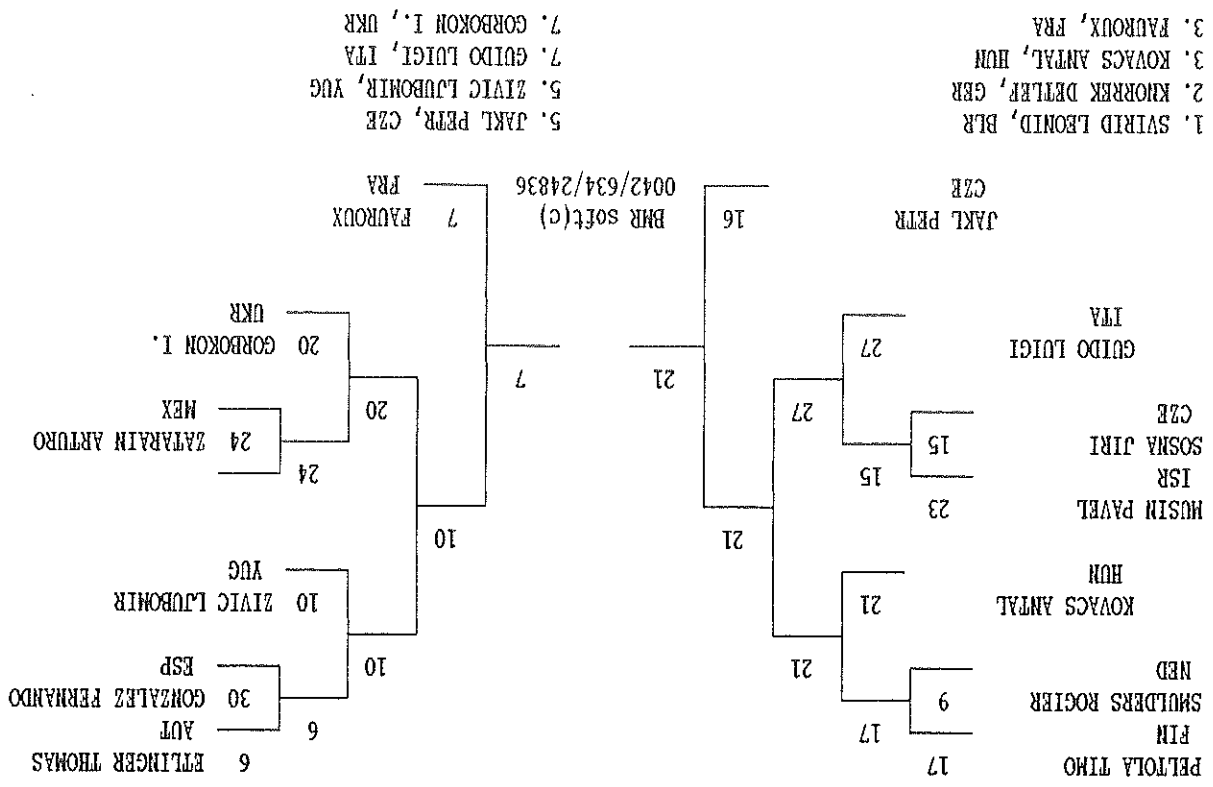
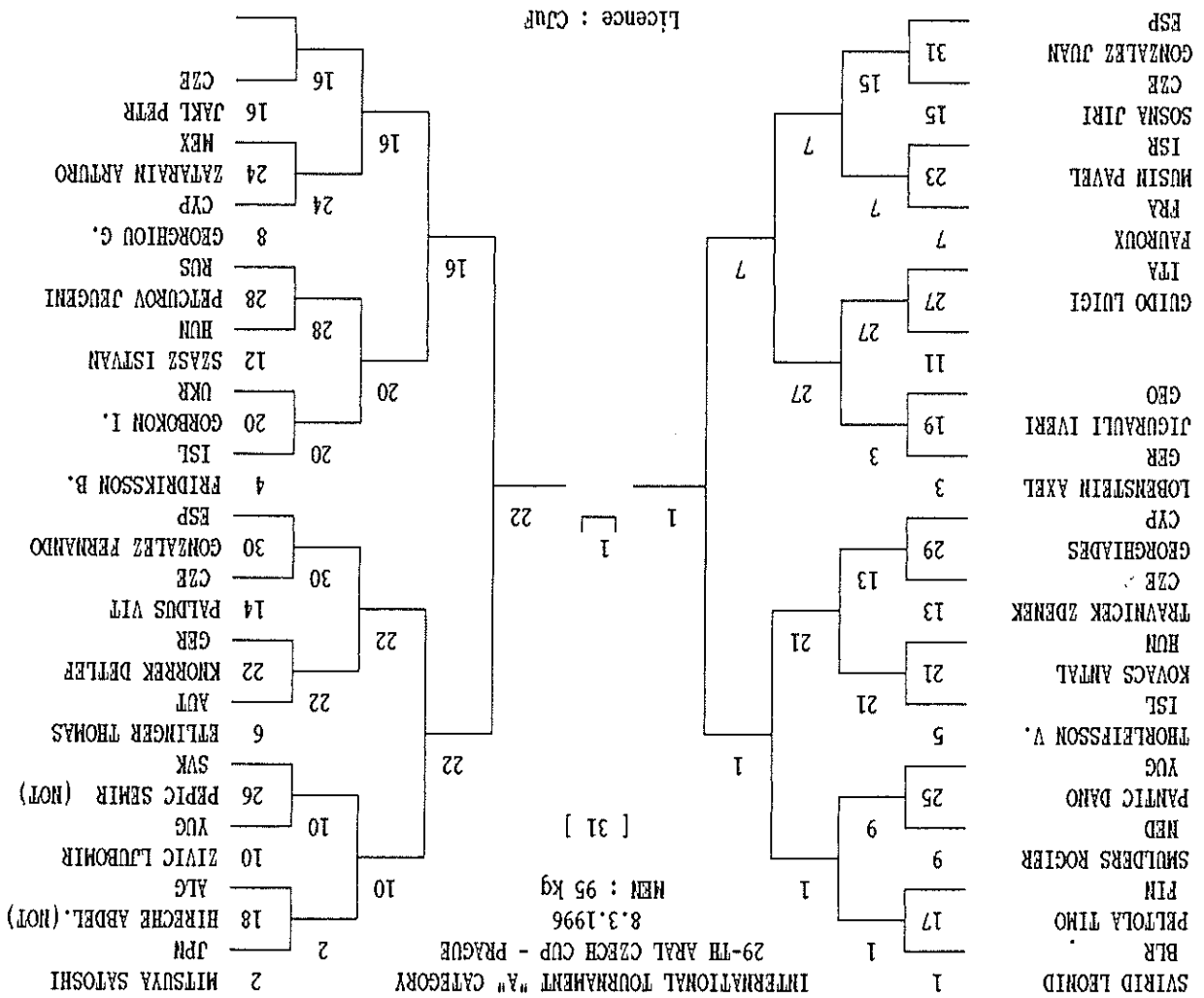
8.3.1996
MEN : 86 kg

Licence : CUP



1. HERKVICIUS ALGIN, LTU
2. MACHOURENKO R., UKR
3. LACINA PETER, CZE
3. SPITTKA MARCO, GER

5. OLSON BRIAN, USA
5. BIRCH RYAN, GBR
7. ZEEVI ARIEL, ISR
7. HUGONNIR, FRA



1. SVIRID LEONID, BLR
2. KNORREK DETLEF, GER
3. KOVACS ANTAL, HUN
3. FAUROUX, FRA

5. JARKL PETR, CZE
5. ZIVIC LJUBOMIR, YUG
7. GUIDO LUIGI, ITA
7. GORBOKON I., UKR

- 1. KHAKHALEISHVILI D., GEO
- 2. KOSSOROTOV SERGEI, RUS
- 3. MILLINKOVIC MILAN, YUG
- 3. TATAROGULU SELIM, TUR
- 5. MOLLER FRANK, GER
- 5. DAVITASHVILI ALEXS, GEO
- 7. PERDIVARA VALERIU, ROM
- 7. DURMUS TUFAN, TUR

